

BUSHMASTER XM15-E2S Complete Lower Receiver Assemblies...

Why Bushmaster Lowerers are the Best...

- Precision machined from high tensile strength 7075 T6 Aluminum Alloy Forgings – Bushmaster **DOES NOT** use castings.
- Bushmaster Receiver Assemblies are guaranteed for fit and function to ensure that if you ever buy a second Upper Receiver/Barrel assembly, it will be completely compatible and interchangeable with your lower receiver.
- M16 A2 design reinforcement area around front pivot pin and reinforcing ridge over the receiver extension attachment area for extra strength.
- Protective finish: Hard Anodize Military A8625, Type III, Class 2 finish (lusterless, flat, approximate Black No. 36118 Table IX). We do not paint our receivers.
- Surfaces are bead blasted to a non-reflective matte finish prior to anodizing.
- A Nickel Acetate final seal coating protects against corrosion.
- Raised "ridge" around magazine catch button protects against accidental magazine release.
- Standard pivot pin design connects uppers and lowers with captivated front pivot pin and rear take down pin (so the pins can't fall out and become lost).



Bushmaster Lower Receiver Assembly with Pistol Grip
(Part# ALOW W/OSTK)
Complete & Assembled as shown — M.S.R.P. \$259.00

An FFL is required for the purchase of any Lower Receiver. Contact your local FFL Dealer, prices may vary.

Complete Lower Receiver Assembly with A2 Trapdoor Buttstock, Pistol Grip and internal components.

These lowerers are complete and assembled – ready to attach to an Upper Receiver and take to the range. The A2 Buttstock is 5/8" longer than the original A1 version for better trigger pull ergonomics, and includes a "trapdoor" storage compartment for cleaning kit, small parts, etc.



Suggested Retail Price... \$295.00 (Part# A LOW STD)
An FFL is required for the purchase of any Lower Receiver. Contact your local FFL Dealer, prices may vary.

Complete Lower Receiver Assembly with Six Position "TeleStock", Pistol Grip, and all internal components.

With the "Sunset" of the 1994 Assault Weapons Ban on Sept. 13th, 2004, Bushmaster can again offer features of the AR15 type rifle that had been deemed illegal for the past 10 years - such as flash suppressors, bayonet lugs, high capacity magazines and telestocks.

This assembly is complete and ready to use - all highest quality components - just snap onto your Upper Receiver. An FFL is required to purchase this Complete Six Position TeleStock Lower Receiver Assembly or order through your FFL Dealer. **NOTE:** These may still be illegal for purchase in some States. Check your own State and County laws to determine the local legality of AR type Rifles with Telestocks.

We also offer a Lower with a BATF approved "Fixed Length Tele-Style Stock" (see our Pistol Grips / Buttstocks Section for details on this stock). **Manufacturers Suggested Retail Price... \$339.00** (Part# A LOW PERMX)

An FFL is required for the purchase of any Lower Receiver. Contact your local FFL Dealer, prices may vary.



Suggested Retail Price... \$339.00
(Part# A LOW TELEP)

Bushmaster "Stripped" Lower Receiver... This is the premium quality basis for those who want to build a Bushmaster Rifle "from the ground up". We recommend the Bushmaster Video or U.S. Gov't. M16A2 Technical Manual (Gunsmithing Section in this catalog) for complete rifle buildup instructions. You'll need a Complete Lower Parts Kit - see details on next page, and your stock of choice from the Pistol Grips / Buttstocks Section.

Suggested Retail Price... \$184.00 (Part# 9349102-S)

An FFL is required for the purchase of any Lower Receiver.

Bushmaster Carbon 15 "Stripped" Lower Receiver... These are the same lightweight receivers we use on our new C15 M4 Type "Flat-top" Carbine and others. Standard "AR" Parts (like our Lower Receiver Parts Kit) drop right in. Carbon 15 composite components are lighter, cooler in operation and have no surface finish to wear off.

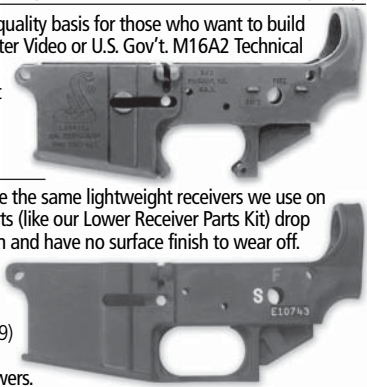
C15 M4 Type Receiver - M.S.R.P. ... \$184.00 (Part# AZ15780)

Also available:

C15 R21/97/97S Receiver - M.S.R.P. ... \$184.00 (Part# AZ15180)

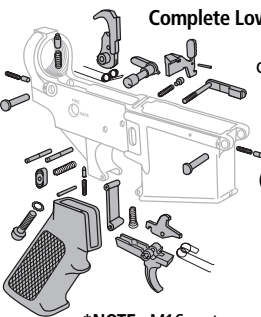
C15 P21/97 Pistol Receiver - M.S.R.P. ... \$184.00 (Part# AZ15179)

For other Carbon 15 Receiver Assemblies, consult your Bushmaster Salesperson. A Federal Firearms License is required for purchase of all lowers.



NOTE: BATF RULING PROHIBITS USE OF M16 COMPONENTS IN LOWER RECEIVER.

See Page 25 for an M16/AR15 parts comparison if you have any doubt about parts in your rifle.

**Complete Lower Receiver Parts Kit**

Everything necessary to completely build up your lower receiver.

Kits are available with either AR15 or M16* components. (lower receiver and auto sear are not included).

AR15 Kit ... \$64.95

(Part # ALOW KIT)

M16 Kit* ... \$64.95

(Part # MLOW KIT)

*NOTE: M16 parts require FFL or MG Tax Stamp.

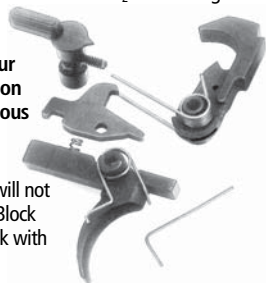
M16 Parts are NOT Legal for Sale in California.

DCM Competition Complete Lower Receiver Parts Kit... \$159.95 (ALOWKITCOMP) All parts shown above plus our Adjustable Two Stage Competition Trigger - save \$25 over separately purchased parts.

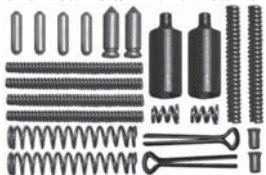
Bushmaster Competition Trigger - For the Serious High Power Competitor... (8448592-SCGK) \$119.95 A finely honed competition trigger including all the specially modified parts shown - ready for installation in your lower receiver. This trigger can be set for a 3 1/2 lb. DCM legal 1st Stage, and a 1 lb. (2nd Stage) letoff.

Also available... Our Two Stage Competition Trigger w. Ambidextrous Safety... \$139.95 (8448592-SCGKA)

NOTE: This Trigger will not fit in Colt Lowers with Block over Safety. Won't work with large Colt pivot pins.



THE "LOST" PARTS KIT for the AR-15 type rifle... \$13.50 (Part# CP-KIT) With everyone getting into AR maintenance and gunsmithing work these days, the first problem encountered is the little spring or detent that pops out only to fall into that black hole under the workbench where you can't find it! This Parts Kit - of all the most critical springs, detents, inserts and pins will get your gun back to full function in short order. Includes: 4 Takedown Pin Detents / 4 Takedown Pin Detent Springs/ 2 Buffer Retainers/ 2 Buffer Retainer Springs / 2 Firing Pin Retaining Pins / 2 Safety Detents / 2 Safety Detent Springs / 2 Extractor Spring Inserts / 2 Extractor Springs.



Field Repair Kit... High breakage and loss items in a heavy zip-lock bag. Will fit in Stowaway Grip. Includes extractor, 2 extractor springs, 2 extractor spring insert, disconnecter, gas ring set, extractor pivot pin, firing pin, 2 firing pin retaining pins, cam pin and spring package of six springs. \$29.95 ea.

For AR-15...

(Part #A FIELD)

or M-16*

(Part #M FIELD)

***NOTE: M16 Parts are NOT Legal for Sale in California.**



XM15/AR15/M16 Emergency Survival Kit... Contains more parts than our Field Repair Kit - all packed in a handy O.D. web carrying case you can wear on a belt. Includes cam pin, extractor with 2 pins and 2 springs, extractor insert, firing pin, 2 firing pin retaining pins, disconnecter and spring, hammer with "J" pin and spring, hammer pin, trigger pin, trigger spring, safety detent and spring, magazine catch springs, gas rings (3), sight adjustment tool, and 2 armorers punches for field disassembly.

Specify: A1 type: (round front sight) **or A2 type:** (square front sight) **and AR15 (AR) or M16 (M) parts. (Note: M16 parts require an FFL or Form 4 for purchase.)**

Survival Kit with A1 Sight Tool... \$59.95

(AR EMERG A1 / M EMERG A1)

Survival Kit with A2 Sight Tool... \$59.95

(AR EMERG A2 / M EMERG A2)



Tighten your Receiver's Action with Our Receiver Spring Package... \$2.95 (Part # SM SPRING PACK)

Includes top quality Hammer, Trigger, Ejector, Extractor, Magazine Catch and Disconnecter Springs.



Complete AR15/M16 Pin & Detent Package... \$6.95 (AR PIN PKG) Includes every pin and detent in the gun - a \$13 value if sold separately. Contains: 2 Hammer/Trigger Pins; 2 Front Sight Taper Pins; Firing Pin Retaining Pin; 2 Takedown Pin Detents; Safety Detent; Bolt Catch Plunger; Extractor Pin; Gas Tube Roll Pin; Front Sight Detent; Ejector Pin; Forward Assist Pin; Bolt Catch Pin; Buffer Detent; Trigger Guard Pin.

Individual Lower Receiver Parts for Late Model COLT AR's... Hard to find parts for the late model Colts requiring the larger .172" diameter hammer & trigger pins!

Hammer... \$21.95 (8448612-SCK) / Trigger...\$19.95 (8448592-SC) / Disconnecter...\$6.95 (8448635-SC)

Hammer/Trigger Pin... \$3.00 (8448609 C) / For All 5 Parts in a Kit Package... \$49.95 (Part # AR COLT KIT)

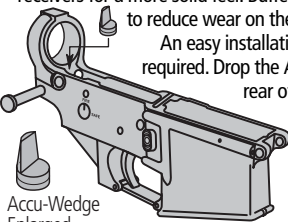
A Complete AR15 Spare Parts Kit... \$36.95 each
 We've taken our Field Repair Kit, our Complete Spring Package, and our Complete Pin & Detent Package and combined them into one "super-kit" that will take care of all your AR15 rifle's spare parts needs. See the kit contents descriptions on this page for complete listings of all parts included. Specify your choice of:

- Parts Kit w. Std. Buffer Spring** (Part # ARPARTSKIT)
- Parts Kit w. CAR Buffer Spring** (Part # ARPARTSKIT-C)

Complete Spring Package... \$9.95 Every spring in the gun, including the Buffer Spring. Please specify if for Telescop Carbine (Part # A COMP SPR PKG-C), or Standard Buffer Spring (Part # A COMP SPR PKG).

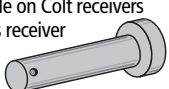
AR15/M16 Accu-Wedge... \$5.95 (ACU1B)

Accu-Wedge eliminates play between upper and lower receivers for a more solid feel. Buffers the cycling system to reduce wear on the impacting surfaces. An easy installation, no modifications required. Drop the Accu-Wedge into the rear of the lower receiver - close the upper receiver, squeeze, and push the take-down pin into place.

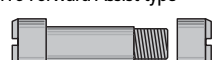


Accu-Wedge Enlarged

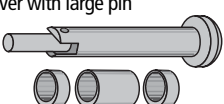
AR-AR Push Pin... \$9.95 (OAK-01) Replaces the big two-screw bolt in the front pivot hole on Colt receivers (will only fit Colt Sporters). Converts receiver to standard takedown operation - as on the military version.



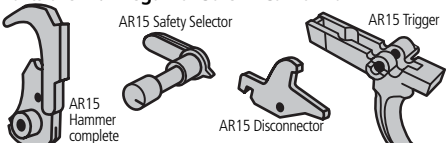
Offset Pin... \$5.95 (NES-06) Adapts a Colt Lower Receiver (with large hole) to M16 Forward Assist type Upper Receiver with smaller hole.



Reverse Offset Pin... \$15.95 (WE-003) Allows mounting a Colt Upper Receiver with large pin holes to a mil. spec. (small hole) push pin type Receiver.

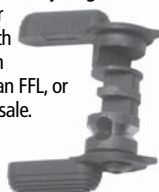


AR15 or M16* Kit... \$33.95 ea. (A REHAB [for AR15] or M REHAB [for M16]) Hammer, Trigger, Safety Selector and Disconnecter. Specify whether for **Semi-Auto** or **Full-Auto**. *NOTE: M16 Kit must be used in a Title II Receiver for legality. An FFL or Tax Stamp is required. **M16 Parts are NOT Legal for Sale in California.**



See next page for AR15 / M16 Parts Differences

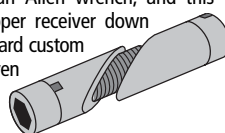
AR15 or M16* Ambidextrous Safety Selector... \$34.95
 Don't be penalized for being left handed any longer. Installs easily into your lower receiver and enables activation of the rifle with either hand. Assembles with a button head Allen Screw. For the M16 part, an FFL, or a copy of your Form 4 is required for sale.
AR15 (Part# MMT-0007K) **\$34.95**
M16* (Part# MMT-0006K) **\$34.95**
 (*NOT Legal in California)



Ambi Magazine Release... \$89.95 (8448638-ambi)
 Now, release magazines from either side of the receiver - especially handy for lefties. This well made assembly is an easy replacement for your stock magazine release - uses the stock button and spring. No receiver modification is required, the design reduces the possibility of accidental release, and helps keep out sand and mud. All steel construction with a mil. spec. manganese phosphate finish. Made in U.S.A.



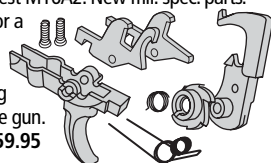
Expandable Tensioning Pin For All AR15 Type Rifles... \$34.95 (ARTP) These pins are designed to cure the looseness between older upper and lower receivers. Install and tighten with an Allen wrench, and this precision pin pulls the upper receiver down onto the lower for a rock hard custom fit. Improves accuracy in even the poorest fitting upper and lower receivers.



Anti-Walk Pins... for XM15, AR15 and M16... Set of 2... \$5.95 (WE-002) Designed to prevent trigger or sear pin walkout under rapid fire conditions. Steel with black phosphated finish.



M16*A2 Three Shot Burst Set... \$59.95
 Installation of this set in your M16A1 machine gun will give you 3 shot burst capability as in the latest M16A2. New mil. spec. parts. FFL required for sale, or a copy of your Form 4. Not legal for installation in anything but a licensed machine gun. (3SHOT BURST KIT)



***NOTE: M16 Parts are NOT Legal for Sale in California.**
Mil. Spec. M16* Full Auto Sear... \$29.95 (8448595) Includes Pivot Pin, Bushing and Spring. Note: Federal Firearms License or Tax Stamp is required for purchase.



Individual Receivers...	Magazine Catch Spring (8448637)50
Bolt Catch Assembly (A BCAT ASS)	Pistol Grip A2 (9349127)	\$11.95
Bolt Catch (8448628)	Pistol Grip Screw (AN501D416-18)	and
Bolt Catch Spring (8448633)	Pistol Grip Screw Washer (MS35335-61)95
Bolt Catch Plunger (8448634)	Pivot Pin (Front) (8448621)	\$3.95
Bolt Catch Pin (MS16562-119)	Pivot Pin Detent (8448585)50
Buffer Detent (8448582)	Pivot Pin Spring (8448586)50
Buffer Detent Spring (8448583)	AR15 Safety Selector (9381367-S)	\$9.95
AR15 Disconnecter (9349114-S)	M16 Safety Selector* (9381367)	\$9.95
M16 Disconnecter* (8448635)	Safety Detent (8448631)95
Disconnecter Spring (8448594)	Safety Detent Spring (8448516)80
AR15 Hammer w. J pin (8448612-SK)	Take Down Pin (Rear) (8448584)	\$3.95
M16 Hammer w. J pin* (8448612-K)	Take Down Pin Detent (8448585)50
Hammer Pin (8448609), Trigger Pin (8448609), or Sear Pin (8448599) each... ..	Take Down Pin Spring (8448586)50
Hammer Spring (8448611)	Trigger for M16* (8448592)	\$10.95
Magazine Catch Assembly (A MC ASS)	Trigger for AR15 (8448592-S)	\$10.95
Magazine Catch (8448638)	Trigger w. Spring for AR15 (9349115-S) ...	\$10.95
Magazine Catch Button (8448636)	Trigger Spring (8448593)95
	Trigger Guard Assembly (8448587)	\$4.95




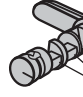
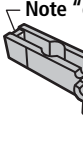
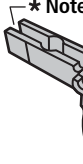

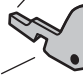

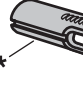
***NOTE: M16 Parts are NOT Legal for Sale in California.**

A BUSHMASTER STATEMENT REGARDING MACHINEGUN PARTS

BATF's position is that if your AR15 type rifle contains even one M16 component, it is a Machine Gun. If you own an AR15 from any manufacturer, check to make sure there are no M16 components in it's assemblies. If there are, remove them immediately. Machine them to AR configuration, or replace them and destroy the M16 components. Refer to the illustrations below to determine if you have M16 components in your assemblies. If you have any questions about your parts, give us a call and we'll be glad to supply you with the legally acceptable parts.

Sales of M16 components by Bushmaster/Quality Parts Co. will only be made to the following categories of customers: (1) Class 3 (NFA) Dealer. (2) Individual who has a registered NFA weapon. (3) Federal Firearms Licensee with a customer who has a registered NFA weapon.

Note the Differences* Between the Corresponding Parts in Each Drawing

AR15 PARTS		M16 PARTS	
	Hammer with J pin 8448612-SK		Hammer with J pin 8448612K
	Safety Selector Lever 9381367-S		Safety Selector Lever 9381367
	Trigger 8448592-S		Trigger 8448592
	Disconnecter 9349114-S		Disconnecter 8448635
	Bolt Carrier 8448507-S		Bolt Carrier 8448507

Note: Asterisks () in the M16 drawings indicate differences from the AR15 counterparts.*

Uzi SMG Bolt... A full auto bolt machined from 4140 quality gun steel bar stock - not a weak or porous casting. Sear notch tolerance is held to +/- 1 degree to reduce sear wear and assure precise lockup.

\$150.00
(MMT-Z-200)

Uzi Auto Recoil Spring...
A top quality spring assembly - tension tested to ensure a consistent cycle rate of 600 RPM.

\$19.95 (MMT-0009)